



# MABO METAL

## PRODUCT GUIDE





# TABLE OF CONTENTS

## ABOUT US

3

**Company Overview** . . . . . 3

## ANGLE STEEL PLATES

4-5

**Extended Corner Support** . . . . . 4

**Compact Corner Support** . . . . . 5

## SHAPED STEEL PLATES

6-8

**Flat T-Shape** . . . . . 6

**Flat I-Shape** . . . . . 7

**Flat L-Shape** . . . . . 8

## SHELF BRACKETS

9-11

**L-Shape** . . . . . 9

**S-Shape** . . . . . 10

**U-Shape** . . . . . 11

## POST SUPPORTS

12

**Post Support** . . . . . 12

## 2FT DISPLAY

13

**Pre-Loaded Display - Independent** . . . . . 13



## MABO METAL: CRAFTING QUALITY METAL SOLUTIONS SINCE 1975

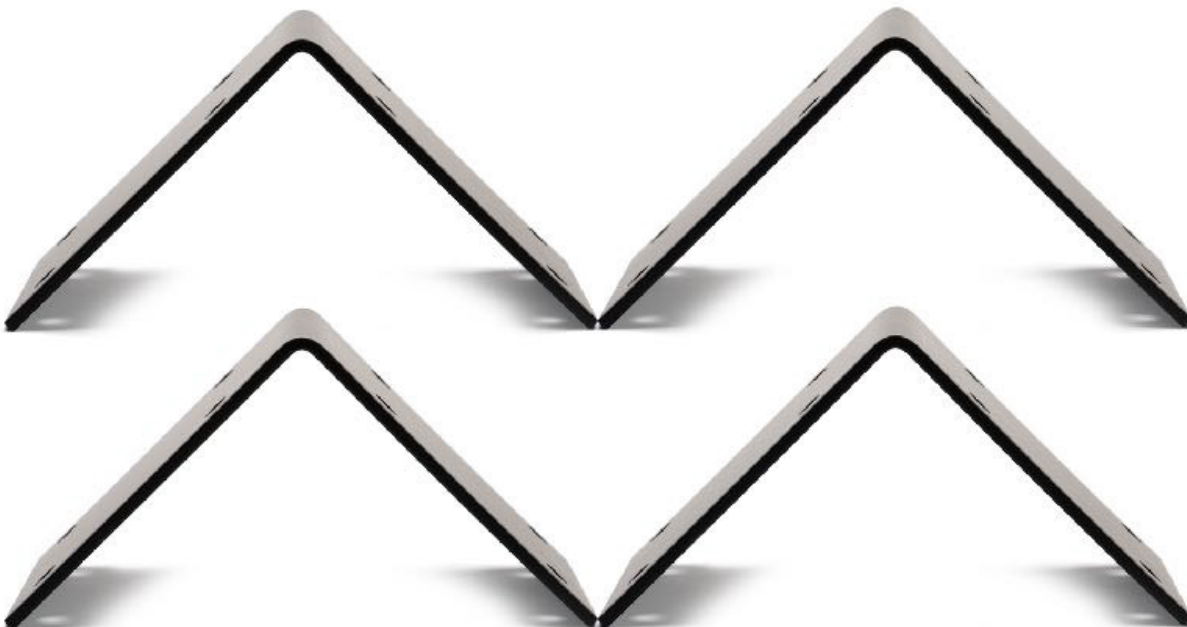
Since 1975, Mabo Metal has been a trusted name in the manufacturing of steel brackets, angle plates, and shelf brackets. Our journey began with custom projects for local clients, but over time, we've evolved into a comprehensive product line available in local stores.

### Why Choose Mabo Metal?

- **Wide Retail Presence:** Thanks to our robust sales force, our products are now available in over 350 retailers across Canada as of 2024.
- **Acquired by Satellite Metal:** In October 2022, Satellite Metal—a well-established metal stamping company based in Montreal—acquired Mabo Metal. This strategic partnership has allowed us to expand our reach and build strong relationships with retailers nationwide.
- **Stylish Design Solutions:** Explore our design-forward shelving solutions, available in both sleek black and pristine white powder coating. Look for them in the “design” section of select stores and boutique “house design” shops.
- **Quality Assurance:** Mabo Metal is fully integrated within the Satellite company, ensuring top-notch quality. Our coatings withstand both interior and exterior use, providing durability and longevity.
- **Innovation:** With the support of Satellite Metal’s design team, Mabo Metal has introduced four new products in 2024. We’re constantly researching fresh ideas to enhance our catalog and empower customers with creative household projects.
- **Talent, Resources, and Efficiency:** Mabo Metal, alongside Satellite Metal, is poised to serve customers effectively, boost productivity, and tackle future challenges head-on.

Choose Mabo Metal for superior craftsmanship, innovative designs, and reliable solutions.

**Let's build something remarkable together!**



# ANGLE STEEL PLATES

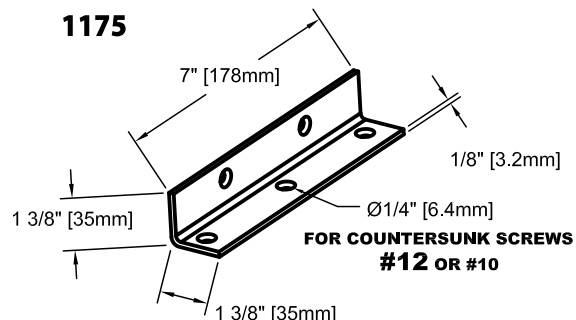
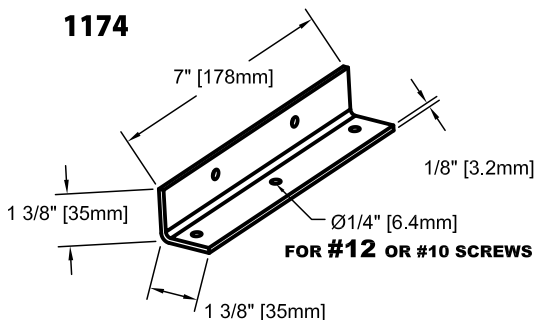
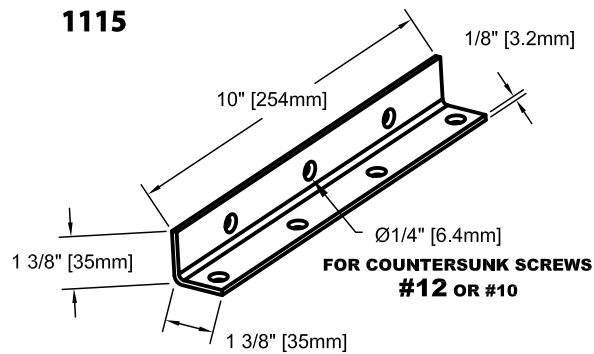
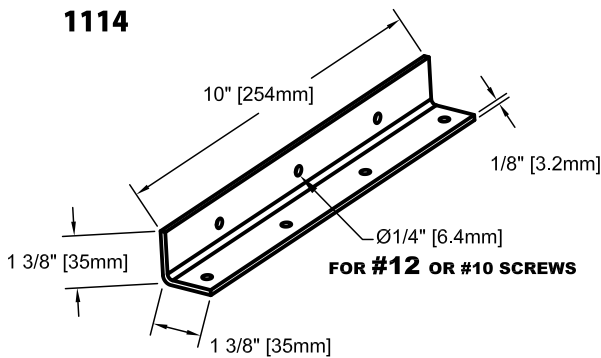
## EXTENDED CORNER SUPPORT



- Available in various sizes and thicknesses.
- Made from high-quality metal steel.
- Coated with a durable baked-on powder coat finish.
- Suitable for both indoor and outdoor projects.



Product Code	Case Pack	Product Dimensions WIDTH x HEIGHT x DEPTH x THICKNESS	Color	Holes	Screws	Countersink
1114	24	10" x 1 3/8" x 1 3/8" x 1/8"	Black	7 x 1/4"	#12, #10	No
1115	24	10" x 1 3/8" x 1 3/8" x 1/8"	Black	7 x 1/4"	#12, #10	Yes
1174	36	7" x 1 3/8" x 1 3/8" x 1/8"	Black	5 x 1/4"	#12, #10	No
1175	36	7" x 1 3/8" x 1 3/8" x 1/8"	Black	5 x 1/4"	#12, #10	Yes



# ANGLE STEEL PLATES

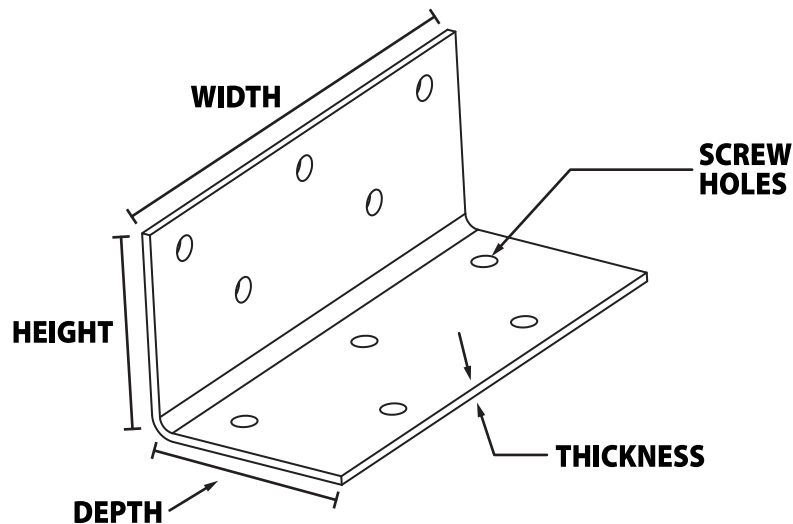
## COMPACT CORNER SUPPORT



- Provides essential strength for structural support, including beam installation.
- Available in different sizes and thicknesses.
- Made from high-quality metal steel.
- Coated with a durable baked-on powder finish.
- Suitable for both indoor and outdoor projects



Product Code	Case Pack	Product Dimensions WIDTH x HEIGHT x DEPTH x THICKNESS	Color	Holes	Screws	Countersink
3331	36	3"x2 1/2"x2 1/2"x1/8"	Black	6 x 11/32"	5/16", 1/4", #12, #14	No
3335	24	3"x3"x3"x3/16"	Black	6 x 13/32"	3/8", 5/16", #14	No
3352	24	5"x3"x3"x1/8"	Black	6 x 9/32"	#10, #12, #14	Yes
3353	24	5"x3"x3"x1/8"	Black	6 x 11/32"	5/16", 1/4", #12, #14	No
3354	12	5"x3 1/8"x3 1/8"x3/16"	Black	6 x 13/32"	3/8", 5/16", #14	No
3356	12	5"x3 3/16"x3 3/16"x1/4"	Black	6 x 13/32"	3/8", 5/16", #14	No
3371	18	7"x3"x3"x1/8"	Black	10x 9/32"	1/4", #10, #12, #14	No
3377	12	7"x3"x3"x3/16"	Black	10 x 9/32"	#10, #12, #14	Yes
4441	12	4"x4"x4"x3/16"	Black	6 x 13/32"	3/8", 5/16", #14	No
4442	12	4"x4"x4"x1/4"	Black	6 x 13/32"	3/8", 5/16", #14	No
4443	12	4"x4"x4"x1/4"	Black	6 x 9/16"	1/2"	No
4461	8	6"x4"x4"x1/4"	Black	6 x 9/16"	1/2"	No
4481	8	8"x4"x4"x3/16"	Black	10 x 7/16"	3/8", 5/16"	No
4486	6	8"x4"x4"x1/4"	Black	6 x 9/16"	1/2"	No
6651	12	5"x6"x6"x1/8"	Black	8 x 13/32"	3/8", 5/16", #14	No
6652	8	5"x6"x6"x3/16"	Black	8 x 13/32"	3/8", 5/16", #14	No



# SHAPED STEEL PLATES

## FLAT T-SHAPE

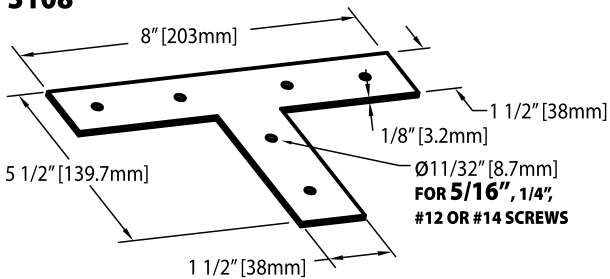


- Comes in various sizes and thicknesses.
- Crafted from high-quality metal steel.
- Finished with a durable baked-on powder coat.
- Ideal for indoor and outdoor applications.

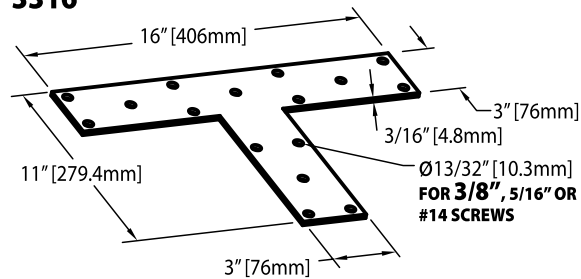


Product Code	Case Pack	Product Dimensions WIDTH x DEPTH x THICKNESS	Color	Holes	Screws	Countersink
3108	24	8"x5 1/2"x1 1/2"x1/8"	Black	6 x 11/32"	5/16", 1/4", #12, #14	No
3316	6	16"x11"x3"x3/16"	Black	16 x 13/32"	3/8", 5/16", #14	No

### 3108



### 3316



# SHAPED STEEL PLATES

## FLAT I-SHAPE

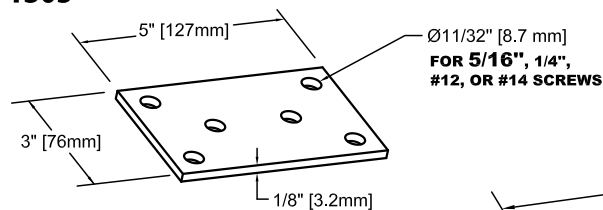


- Available in different sizes and thicknesses.
- Made of high-quality metal steel.
- Coated with a durable baked-on powder finish.
- Suitable for indoor and outdoor projects.

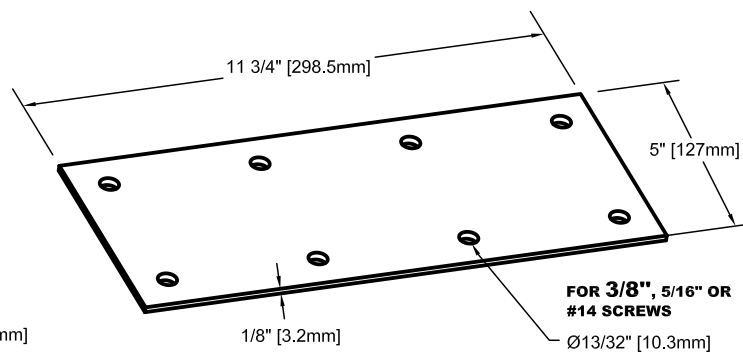


Product Code	Case Pack	Product Dimensions WIDTH x DEPTH x THICKNESS	Color	Holes	Screws	Countersink
1305	24	5"x3"x1/8"	Black	6 x 11/32"	5/16", 1/4", #12, #14	No
1316	6	16"x3"x3/16"	Black	11 x 13/32"	3/8", 5/16", #14	No
1511	12	5"x11 3/4"x1/8"	Black	8 x 13/32"	3/8", 5/16", #14	No
1512	8	5"x11 3/4"x3/16"	Black	8 x 13/32"	3/8", 5/16", #14	No

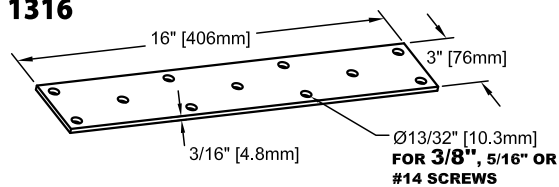
### 1305



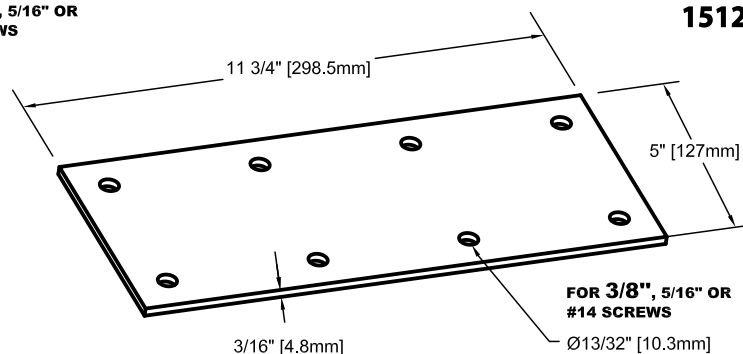
### 1511



### 1316



### 1512



# SHAPED STEEL PLATES

## FLAT L-SHAPE

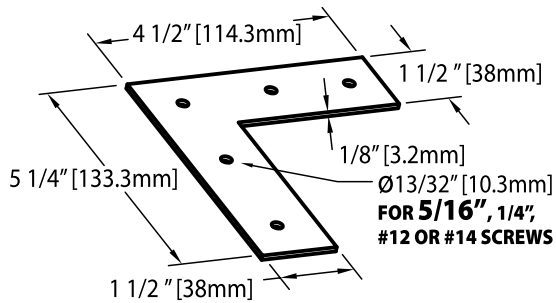


- Comes in various sizes and thicknesses.
- Crafted from high-quality metal steel.
- Features a durable baked-on powder coat finish.
- Suitable for indoor and outdoor use.

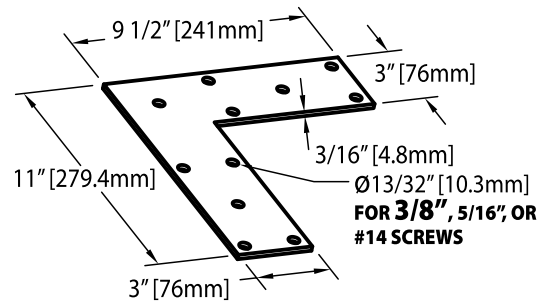


Product Code	Case Pack	Product Dimensions WIDTH x DEPTH x THICKNESS	Color	Holes	Screws	Countersink
2107	24	4 1/2" x 5 1/4" x 1 1/2" x 1/8"	Black	5 x 11/32"	5/16", 1/4", #12, #14	No
2316	6	9 1/2" x 11" x 3" x 3/16"	Black	11 x 13/32"	3/8", 5/16", #14	No

### 2107



### 2316





# SHELF BRACKETS

## L-SHAPE



- Available in three different sizes.
- Color options: black or white.
- Made from high-quality metal steel.
- Coated with a durable baked-on powder finish.
- Suitable for indoor and outdoor projects.



Product Code	Case Pack	Product Dimensions WIDTH x HEIGHT x DEPTH x THICKNESS	Color	Holes	Screws	Countersink
5513	24	1 1/2"x5"x5"x1/4"	Black	5 x 11/32"	5/16", 1/4", #12, #14	No
5513W	24	1 1/2"x5"x5"x1/4"	White	5 x 11/32"	5/16", 1/4", #12, #14	No
4413	36	1 1/2"x3 1/2"x3 1/2"x3/16"	Black	5 x 9/32"	1/4", #10, #12, #14	No
4413W	36	1 1/2"x3 1/2"x3 1/2"x3/16"	White	5 x 9/32"	1/4", #10, #12, #14	No
7723	12	2"x7"x7"x1/4"	Black	5 x 11/32"	5/16", 1/4", #12, #14	No
7723W	12	2"x7"x7"x1/4"	White	5 x 11/32"	5/16", 1/4", #12, #14	No



# SHELF BRACKETS

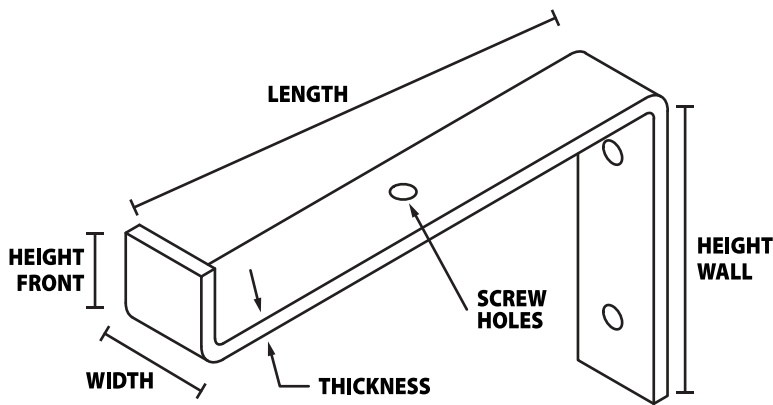
## S-SHAPE



- Available in six different sizes.
- Size 5081 comes in black or white.
- Constructed from high-quality metal steel.
- Features a durable baked-on powder coat finish.
- Suitable for indoor and outdoor use.



Product Code	Case Pack	Product Dimensions <small>WIDTH x LENGTH x HEIGHT FRONT x HEIGHT WALL x THICKNESS</small>	Color	Holes	Screws	Countersink
4062	6	2"x6"x2"x4 1/4"x1/4"	Black	3 x 11/32"	5/16", 1/4", #12, #14	No
4613	24	1"x5 1/2"x1"x4"x3/16"	Black	4 x 11/32"	5/16", 1/4", #12, #14	No
5081	12	1 1/2"x8"x1 1/2"x4 1/2"x3/16"	Black	4 x 11/32"	5/16", 1/4", #12, #14	No
5081W	12	1 1/2"x8"x1 1/2"x4 1/2"x3/16"	White	4 x 11/32"	5/16", 1/4", #12, #14	No
5082	6	2"x8"x1 1/2"x5"x1/4"	Black	3 x 11/32"	5/16", 1/4", #12, #14	No
6102	6	2"x10"x1 1/2"x6"x1/4"	Black	3 x 11/32"	5/16", 1/4", #12, #14	No
6122	6	2"x12"x2"x6"x1/4"	Black	3 x 11/32"	5/16", 1/4", #12, #14	No



# SHELF BRACKETS

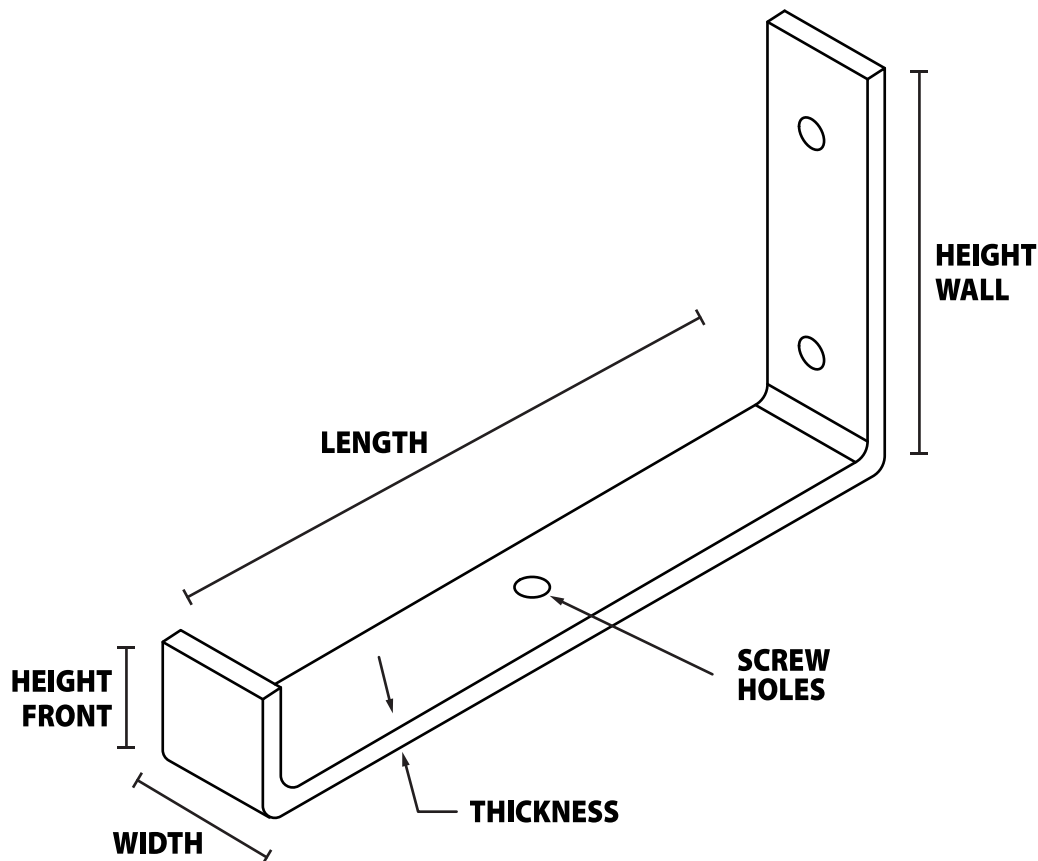
## U-SHAPE



- Available in two different sizes.
- Color options: black or white.
- Made from high-quality metal steel.
- Coated with a durable baked-on powder finish.
- Suitable for indoor and outdoor projects.



Product Code	Case Pack	Product Dimensions <small>WIDTH x LENGTH x HEIGHT FRONT x HEIGHT WALL x THICKNESS</small>	Color	Holes	Screws	Countersink
6081	8	1 1/2"x8 1/8"x1 1/2"x6x3/16"	Black	3 x 11/32"	5/16", 1/4", #12, #14	No
6081W	8	1 1/2"x8 1/8"x1 1/2"x6x3/16"	White	3 x 11/32"	5/16", 1/4", #12, #14	No
6101	8	1 1/2"x10"x1 1/2"x6x3/16"	Black	3 x 11/32"	5/16", 1/4", #12, #14	No
6101W	8	1 1/2"x10"x1 1/2"x6x3/16"	White	3 x 11/32"	5/16", 1/4", #12, #14	No



# POST SUPPORTS

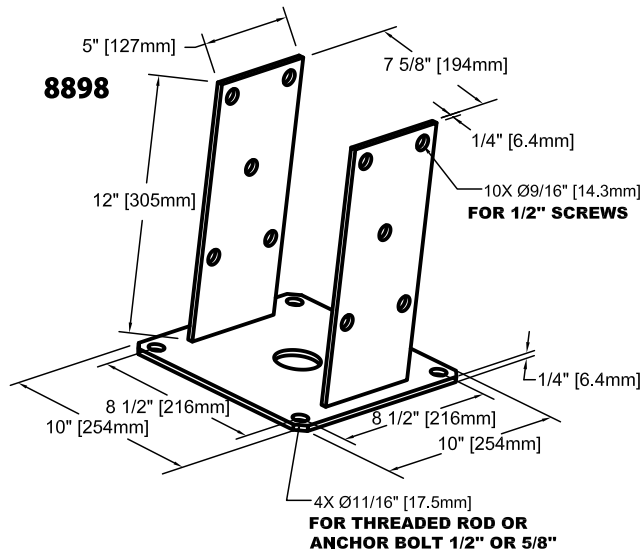
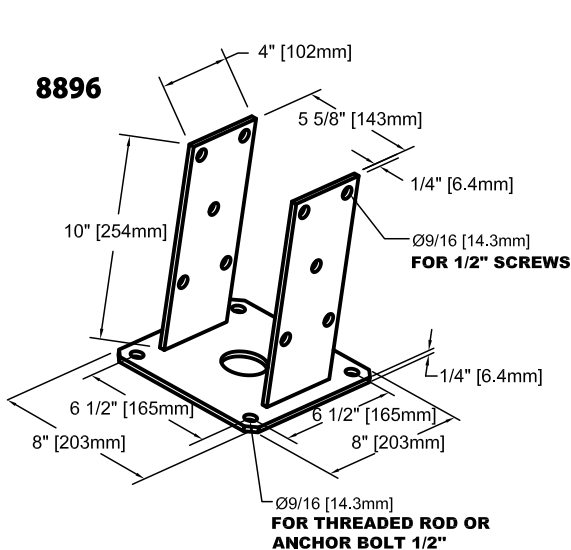
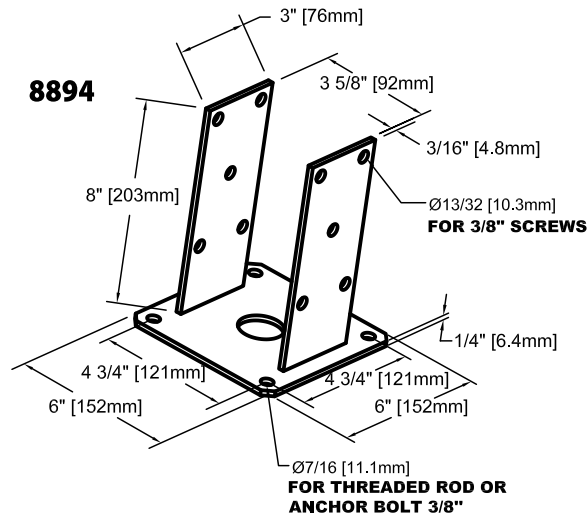
## POST SUPPORT



- Stabilizes wooden columns.
- Made of high-quality metal steel.
- Durable baked-on powder coat finish.
- Suitable for use in metal or concrete.
- Available in three different sizes.

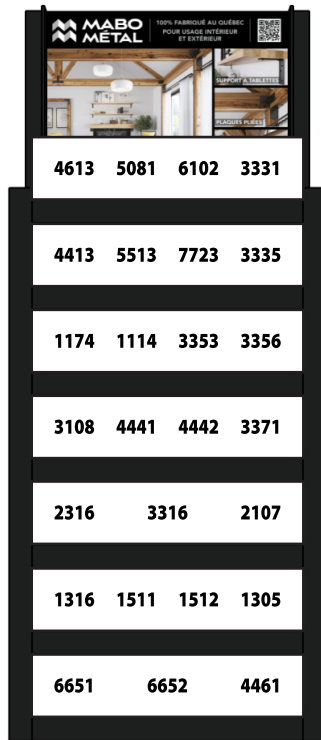


Product Code	Case Pack	Product Dimensions WIDTH x HEIGHT x DEPTH x THICKNESS	Color	Holes	Screws	Countersink
8894	4	Base 4"x4"	Black	14 x 13/32"	3/8"	No
8896	2	Base 6"x6"	Black	14 x 9/16"	1/2"	No
8898	2	Base 8"x8"	Black	14 x 9/16"	1/2", 5/8"	No



# 2FT DISPLAY

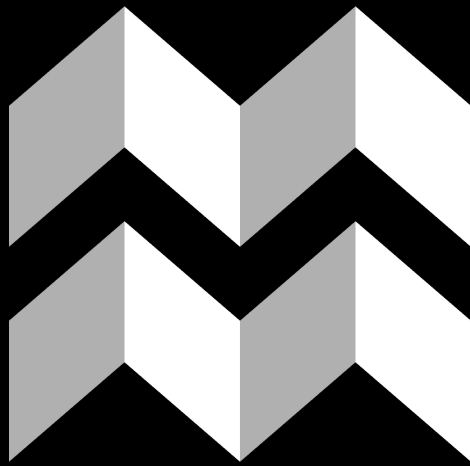
## PRE-LOADED DISPLAY - INDEPENDENT



Product Code	Case Pack	Product Dimensions WIDTH x HEIGHT x DEPTH x THICKNESS	Color	Holes	Screws	Countersink
4613	24	1"x4"x6"x3/16"	Black	4 x 11/32"	5/16", 1/4", #12, #14	No
5081	12	1 1/2"x14"x3/16"	Black	4 x 11/32"	5/16", 1/4", #12, #14	No
6102	6	2"x6"x10"x1/4"	Black	3 x 11/32"	5/16", 1/4", #12, #14	No
3331	36	3"x2 1/2"x2 1/2"x1/8"	Black	6 x 11/32"	5/16", 1/4", #12, #14	No
4413	36	1 1/2"x3 1/2"x3 1/2"x3/16"	Black	5 x 9/32"	1/4", #10, #12, #14	No
5513	24	1 1/2"x5"x5"x1/4"	Black	5 x 11/32"	5/16", 1/4", #12, #14	No
7723	12	2"x7"x7"x1/4"	Black	5 x 11/32"	5/16", 1/4", #12, #14	No
3335	24	3"x3"x3"x3/16"	Black	6 x 13/32"	3/8", 5/16", #14	No
1174	36	7"x1 3/8"x1 3/8"x1/8"	Black	5 x 1/4"	#12, #10	No
1114	24	10"x1 3/8"x1 3/8"x1/8"	Black	7 x 1/4"	#12, #10	No
3353	24	5"x3"x3"x1/8"	Black	6 x 11/32"	5/16", 1/4", #12, #14	No
3356	12	5"x3 3/16"x3 3/16"x1/4"	Black	6 x 13/32"	3/8", 5/16", #14	No
3108	24	8"x5 1/2"x1 1/2"x1/8"	Black	6 x 11/32"	5/16", 1/4", #12, #14	No
4441	12	4"x4"x4"x3/16"	Black	6 x 13/32"	3/8", 5/16", #14	No
4442	12	4"x4"x4"x1/4"	Black	6 x 13/32"	3/8", 5/16", #14	No
3371	18	7"x3"x3"x1/8"	Black	10x 9/32"	1/4", #10, #12, #14	No
2316	6	9 1/2"x11"x3"x3/16"	Black	11 x 13/32"	3/8", 5/16", #14	No
3316	6	16"x11"x3"x3/16"	Black	16 x 13/32"	3/8", 5/16", #14	No
2107	24	4 1/2"x5 1/4"x1 1/2"x1/8"	Black	5 x 11/32"	5/16", 1/4", #12, #14	No
1316	6	16"x3"x3/16"	Black	11 x 13/32"	3/8", 5/16", #14	No
1511	12	5"x11 3/4"x1/8"	Black	8 x 13/32"	3/8", 5/16", #14	No
1512	8	5"x11 3/4"x3/16"	Black	8 x 13/32"	3/8", 5/16", #14	No
1305	24	5"x3"x1/8"	Black	6 x 11/32"	5/16", 1/4", #12, #14	No
6651	12	5"x6"x6"x1/8"	Black	8 x 13/32"	3/8", 5/16", #14	No
6652	8	5"x6"x6"x3/16"	Black	8 x 13/32"	3/8", 5/16", #14	No
4461	8	6"x4"x4"x1/4"	Black	6 x 9/16"	1/2"	No

PRE-LOADED DISPLAY - INDEPENDENT

2FT DISPLAY



**MABO  
METAL**